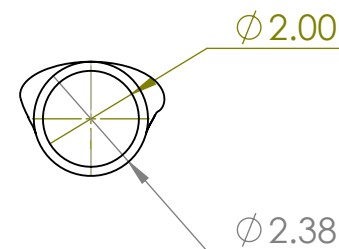
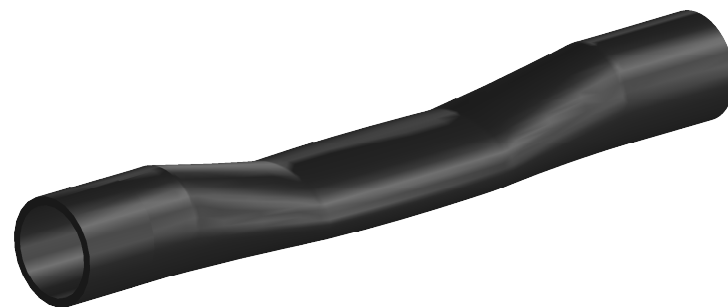
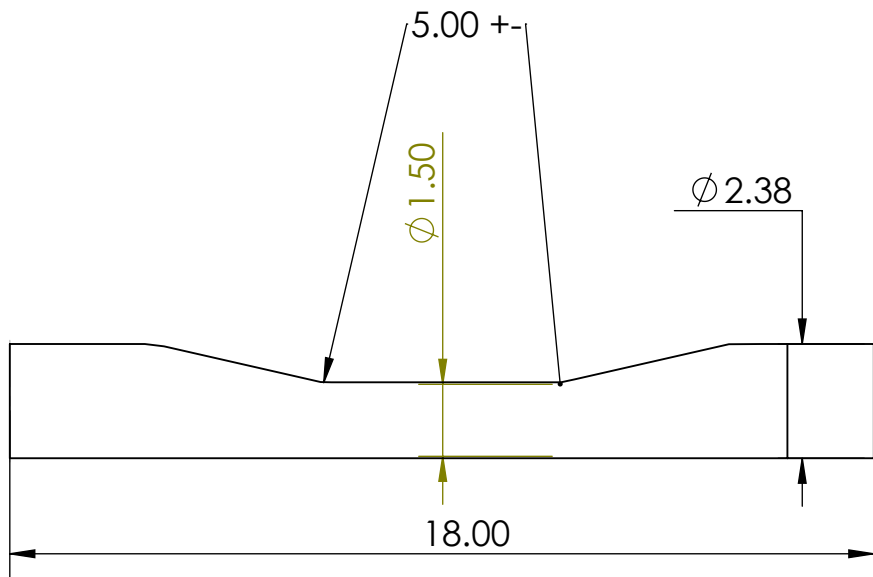


2

1

B

B



A

A

		UNLESS OTHERWISE SPECIFIED:		NAME	DATE	TITLE: <b>Solar RoofJack Limbo Pipe</b>		
		DIMENSIONS ARE IN INCHES TOLERANCES: FRACTIONAL $\pm$ ANGULAR: MACH $\pm$ BEND $\pm$ TWO PLACE DECIMAL $\pm$ THREE PLACE DECIMAL $\pm$	DRAWN					
		INTERPRET GEOMETRIC TOLERANCING PER:	CHECKED			<b>A</b>	<b>Part2</b>	
		MATERIAL <b>ABS</b>	ENG APPR.			SCALE: 1:8	WEIGHT:	SHEET 1 OF 1
NEXT ASSY	USED ON	FINISH <b>Matte</b>	MFG APPR.	CEV	1/1/19			
APPLICATION		DO NOT SCALE DRAWING	Q.A.					
			COMMENTS:					

2

1